

**Spare parts list**  
**(5.971-291.0) Spare parts list K5.740/K5.540\*\***

## Table of contents

---

<b>Spare parts list K5.740/K5.540** (5.971-291.0)</b> .....	6
10 Housing.....	7
11 Housing.....	8
12 Hose reel.....	11
20 Pump set.....	13
21 Housing.....	15
22 Housing.....	17
23 Thrust guidance.....	19
30 Motor.....	21
40 Accessories.....	23
41 Hand trigger gun.....	24
0 G 160 Q pistol Quick Connect (2.642-172.0).....	26
42 Jet pipe.....	28
50 Electric box.....	30

**Spare parts list K5.740/K5.540\*\* (5.971-291.0)**

---

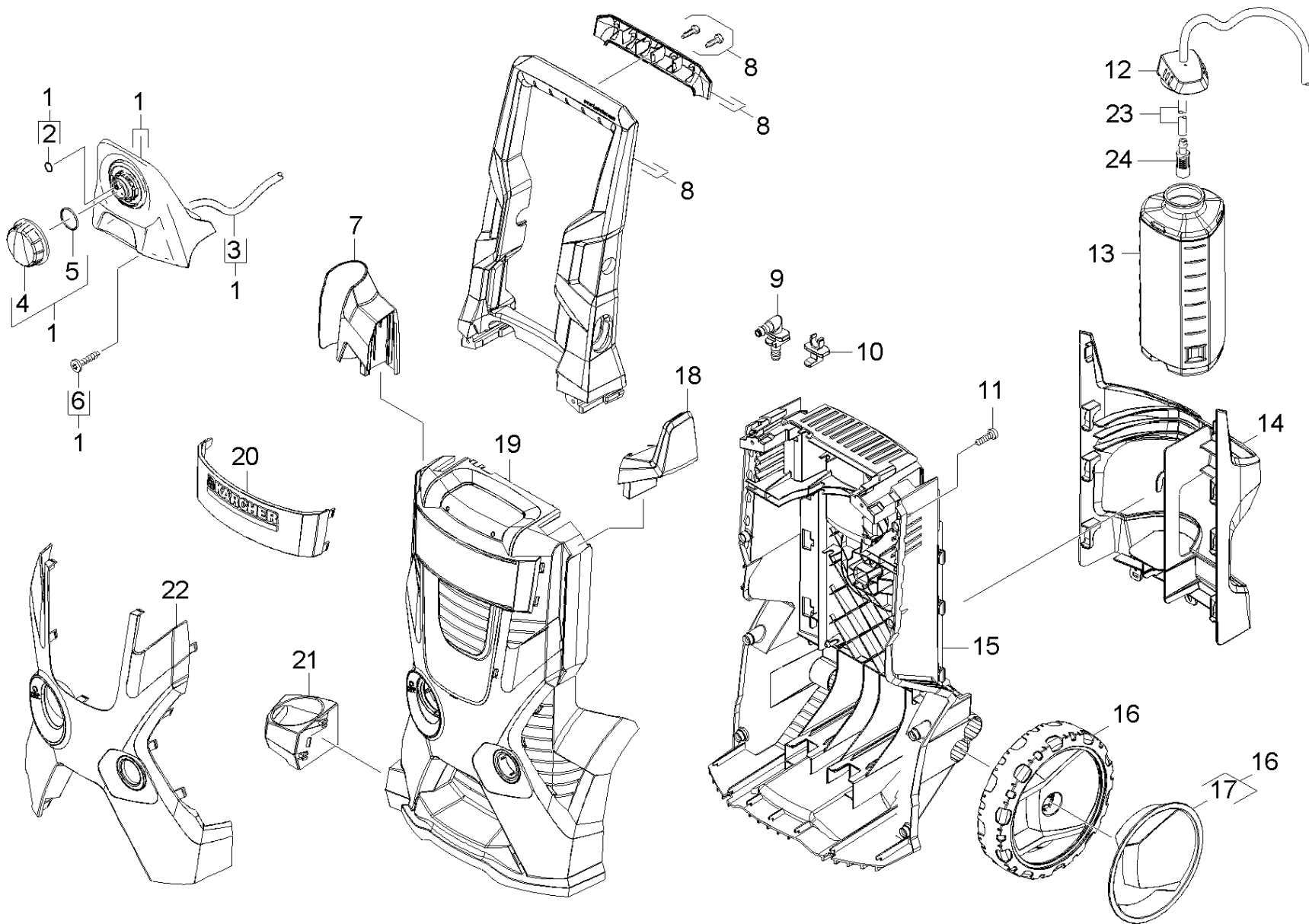
<b>Pos</b>	<b>Name</b>	<b>Qty.</b>	<b>Unit</b>
10	Housing	1.000	ST
20	Pump set	1.000	ST
30	Motor	1.000	ST
40	Accessories	1.000	ST
50	Electric box	1.000	ST

---

## 10 Housing

---

Pos	Name	Qty.	Unit
11	Housing	1.000	ST
12	Hose reel	1.000	ST



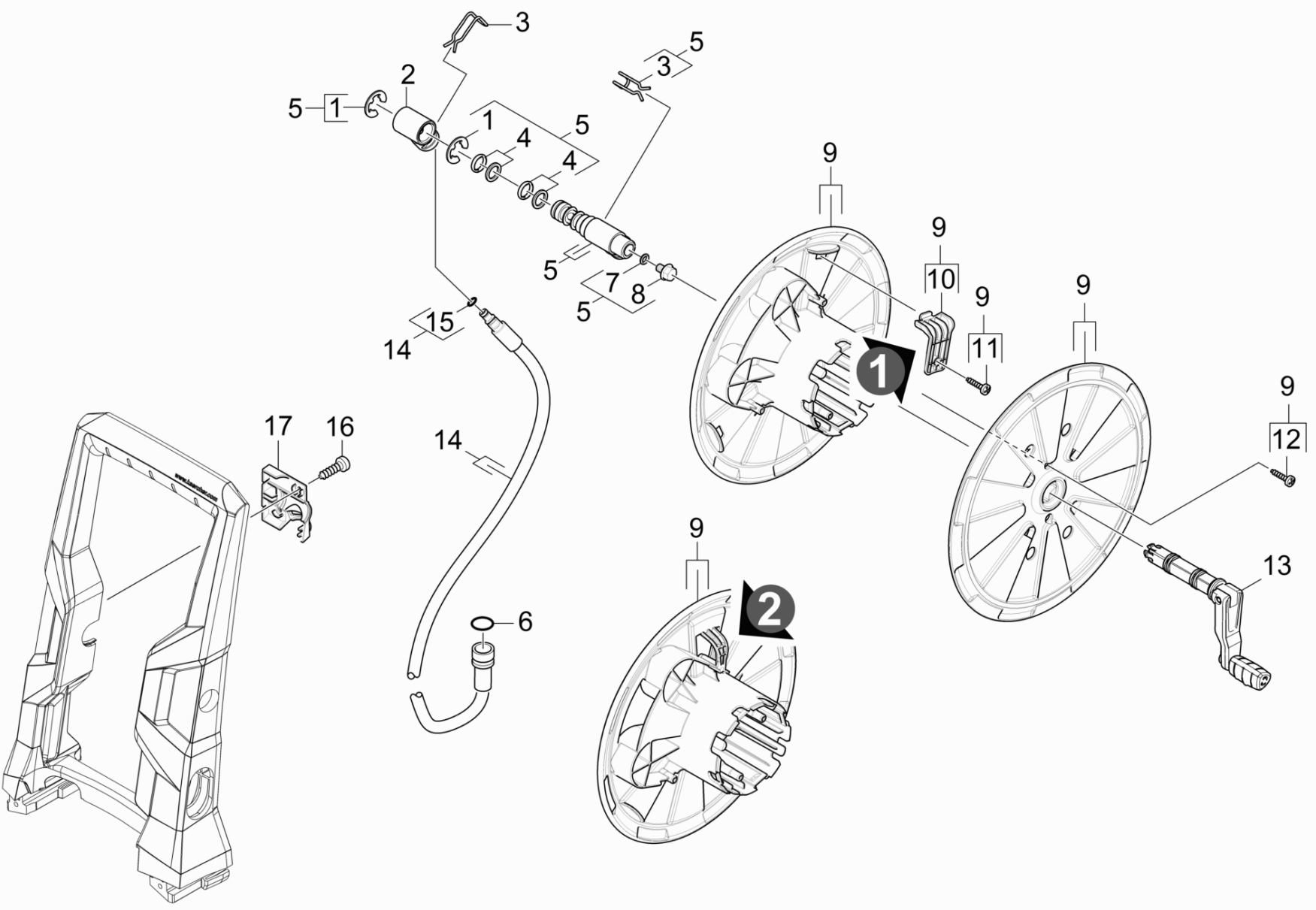
## 11 Housing

ET/VT (spare/wear parts)	Pos	Material #	Name	Qty.	Unit	Footnote text
X-X	1	2.885-244.0	Spare parts set hook hose	1.000	ST	
	2	6.363-018.0	O-Ring seal 4X2	1.000	ST	
	3	6.390-426.0	Hose DN 5	1.000	M	TO ORDER AS CUT GOODS
	4	9.037-621.0	Handhold chemistry	1.000	ST	
	5	6.362-522.0	O-Ring seal 24,0 X 2,0	1.000	ST	
X	6	9.086-203.0	Screw 4x22	4.000	ST	
X-X	7	9.037-618.0	Holder pistol above	1.000	ST	
X-X	8	9.012-717.0	Handhold complete	1.000	ST	
	9	9.037-861.0	Nipple 90° Mod.Range	1.000	ST	
	10	9.037-933.0	Clamping bolt	1.000	ST	
	11	9.086-221.0	Screw ATF 4.1x22	8.000	ST	
	12	9.048-116.0	Fuel tank filler cap WCM **	1.000	ST	
	13	9.037-925.0	Tank WCM **	1.000	ST	
	14	9.037-923.0	Accessory holder ** Version	1.000	ST	
	15	9.037-915.0	Housing rear Mod.Range,ACM	1.000	ST	
X-X	16	4.515-325.0	Wheel set replacement 200 HUMMER	1.000	ST	SET OF 2 PIECES
X-X	17	4.515-292.0	Screen for replacement 200 Hummer SF	1.000	ST	SET OF 2 PIECES
X-X	18	9.037-622.0	Catch for cable	1.000	ST	
	19	9.037-919.0	Cover black WCM**TOP	1.000	ST	
Position text: 1.630-300.0						
	19	9.037-971.0	Cover yellow WCM ** TOP	1.000	ST	
Position text: 1.603-320.0						
	20	9.001-766.0	Covering cap complete silver	1.000	ST	
X-X	21	9.037-619.0	Holder pistol bottom	1.000	ST	
	22	9.037-630.0	Cover yellow X -TOP	1.000	ST	
Position text: 1.603-300.0						

## 11 Housing

---

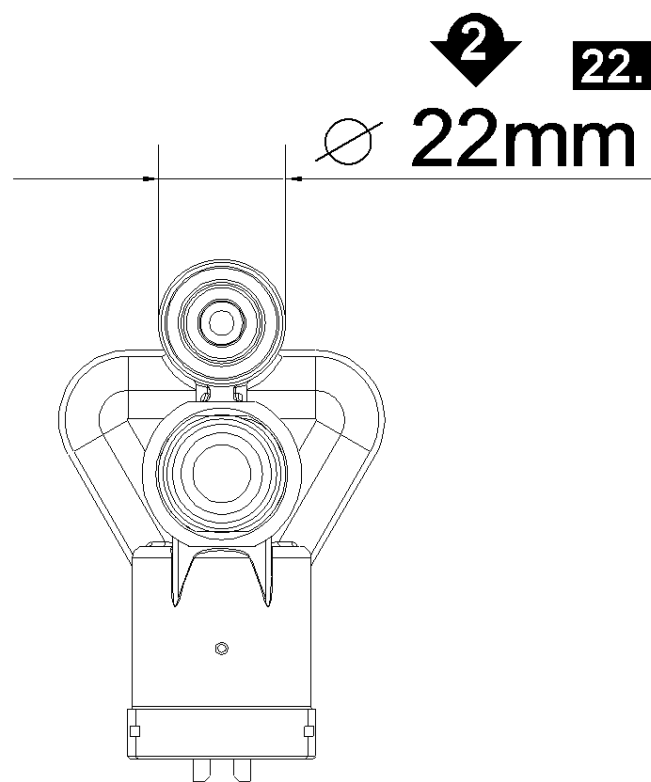
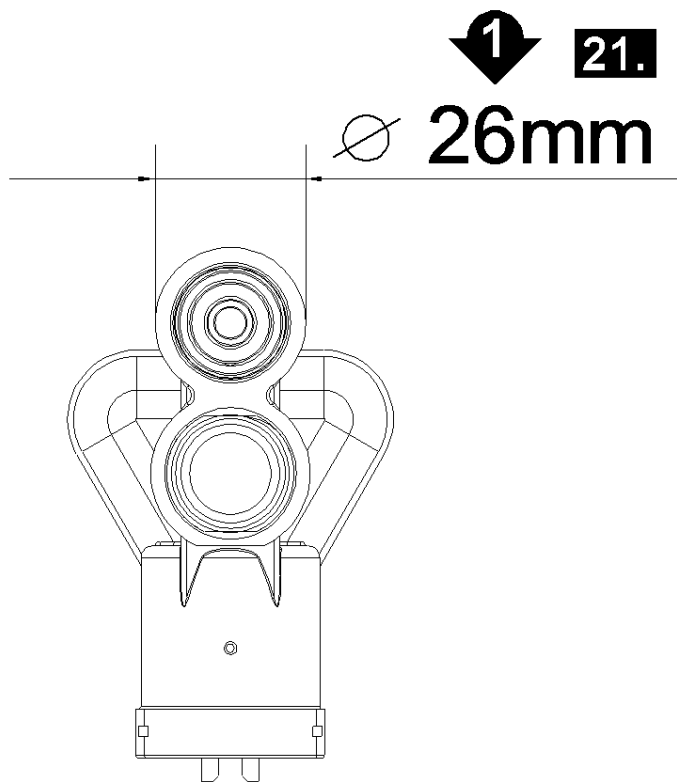
ET/VT (spare/wear parts)	Pos	Material #	Name	Qty.	Unit	Footnote text
	22	9.037-965.0	Cover black X-Top	1.000	ST	
Position text: 1.603-320.0						
	23	6.388-216.0	Hose DN 5	1.000	M	TO ORDER AS CUT GOODS
X	24	5.731-652.0	Filter with weight	1.000	ST	





## 12 Hose reel

ET/VT (spare/wear parts)	Pos	Material #	Name	Qty.	Unit
	1	7.343-306.0	Lock washer 12-St-A2E DIN 6799	2.000	ST
	2	5.443-603.0	Rotary bushing	1.000	ST
X-X	3	5.037-221.0	Clamp	2.000	ST
X-X	4	6.363-410.0	O-Ring seal 5,7x1,78 NBR 90Shore	2.000	ST
	5	2.885-187.0	Spare parts set hollow shaft	1.000	ST
X-X	6	6.362-151.0	O-Ring d. 10 x 2 NBR 70	1.000	ST
	7	6.362-101.0	O-Ring seal 8 X 2	1.000	ST
	8	7.304-027.0	Hexagonal head screw M8x12-8.8-P2E EN 1	1.000	ST
X	9	2.885-188.0	Spare parts set hose reel	1.000	ST
	10	5.481-413.0	Clamp hose HD	1.000	ST
X	11	9.086-203.0	Screw 4x22	1.000	ST
	12	7.303-096.0	Screw 4x22 -ST-10.9-R2R (IN6RD)	2.000	ST
X-X	13	9.012-656.0	Crank complete	1.000	ST
X	14	9.082-104.0	High pressure hose	1.000	ST
X-X	15	6.363-410.0	O-Ring seal 5,7x1,78 NBR 90Shore	2.000	ST
X	16	9.086-173.0	Screw Hi-Lo d.4x22 Torx-d.7,5	1.000	ST
X-X	17	9.037-674.0	Brigde handhold hose reel	1.000	ST

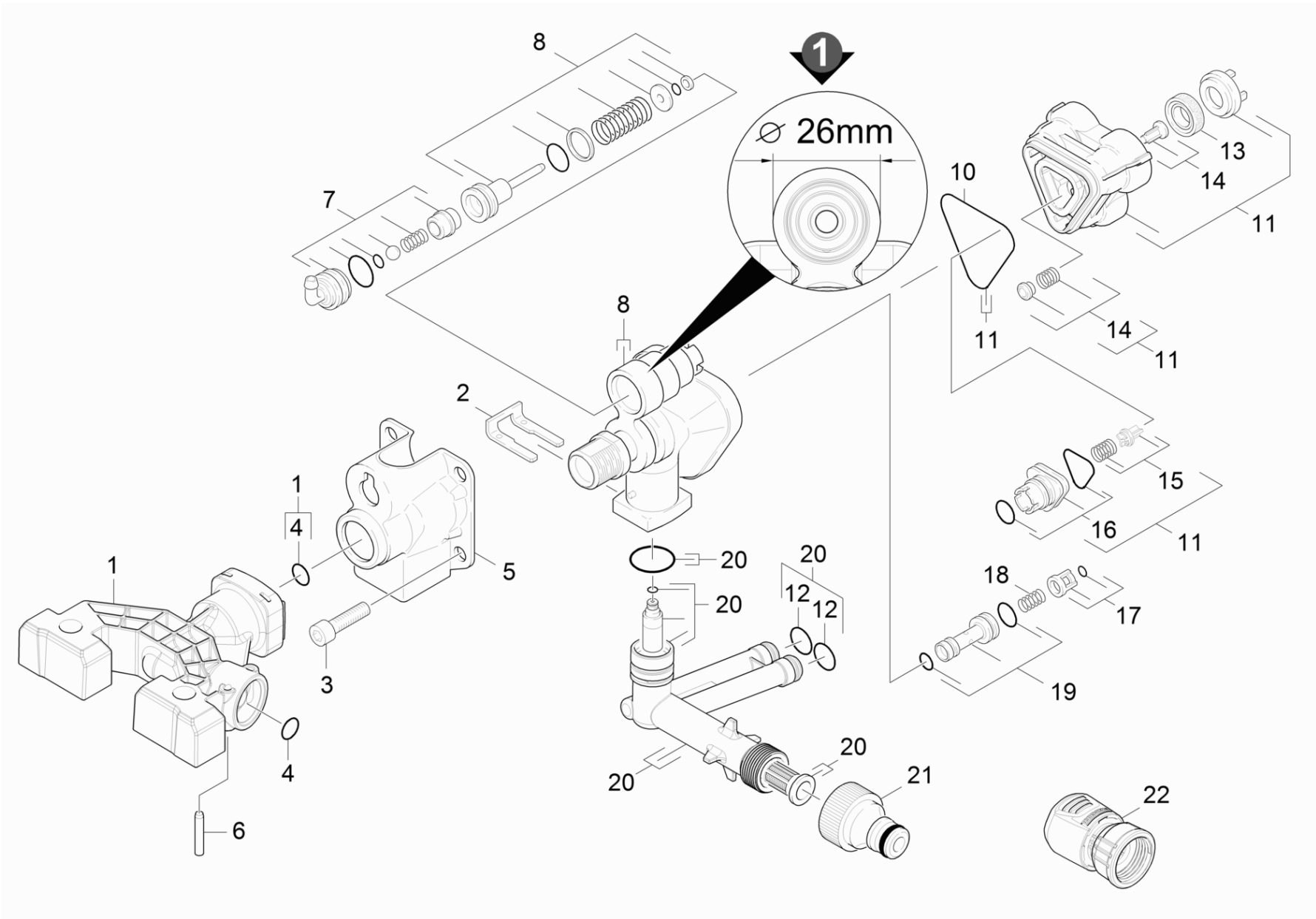


## 20 Pump set

---

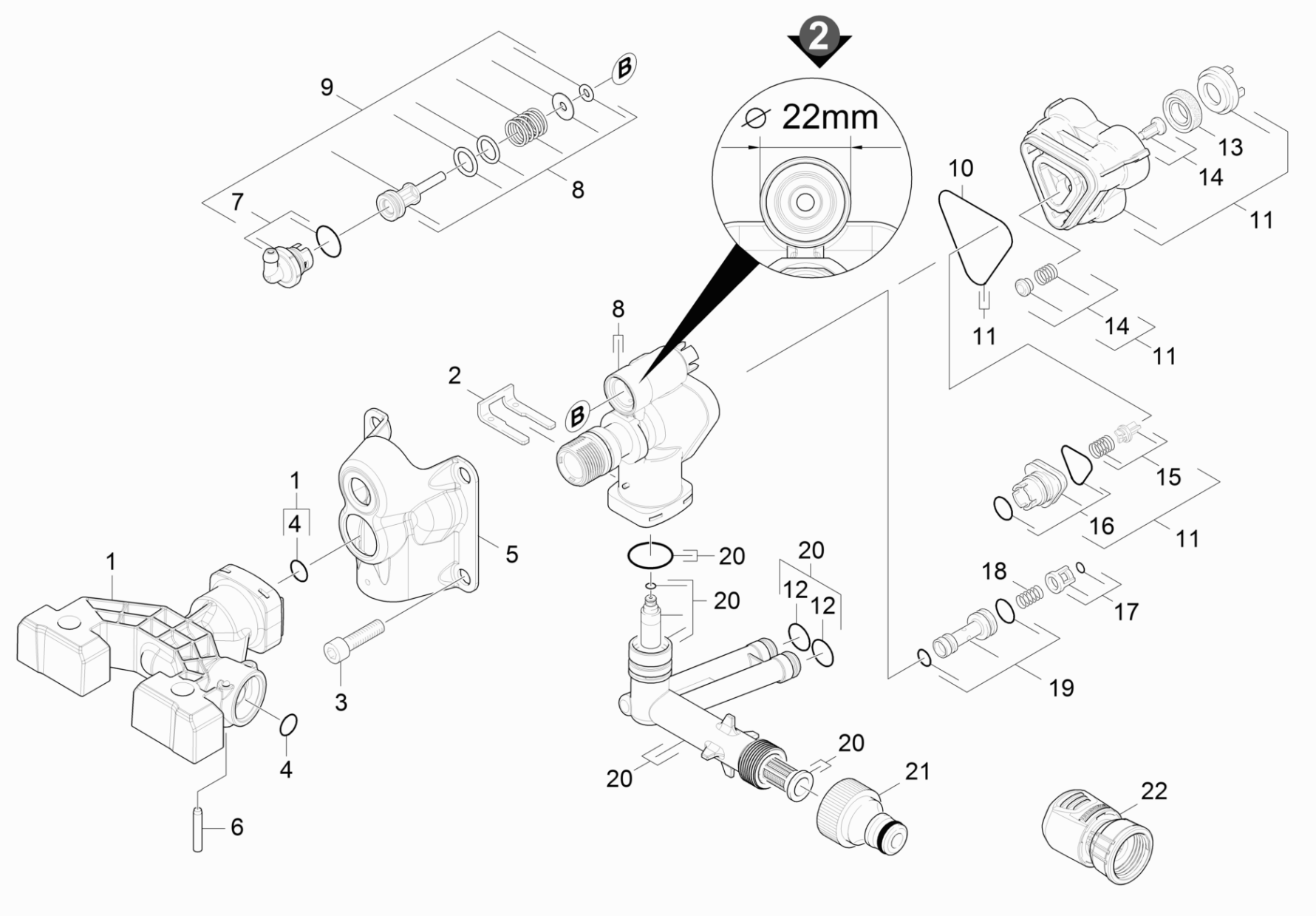
Pos	Name	Qty.	Unit	Footnote text
21	Housing	1.000	ST	VERSION 1
22	Housing	1.000	ST	VERSION 2
23	Thrust guidance	1.000	ST	

---



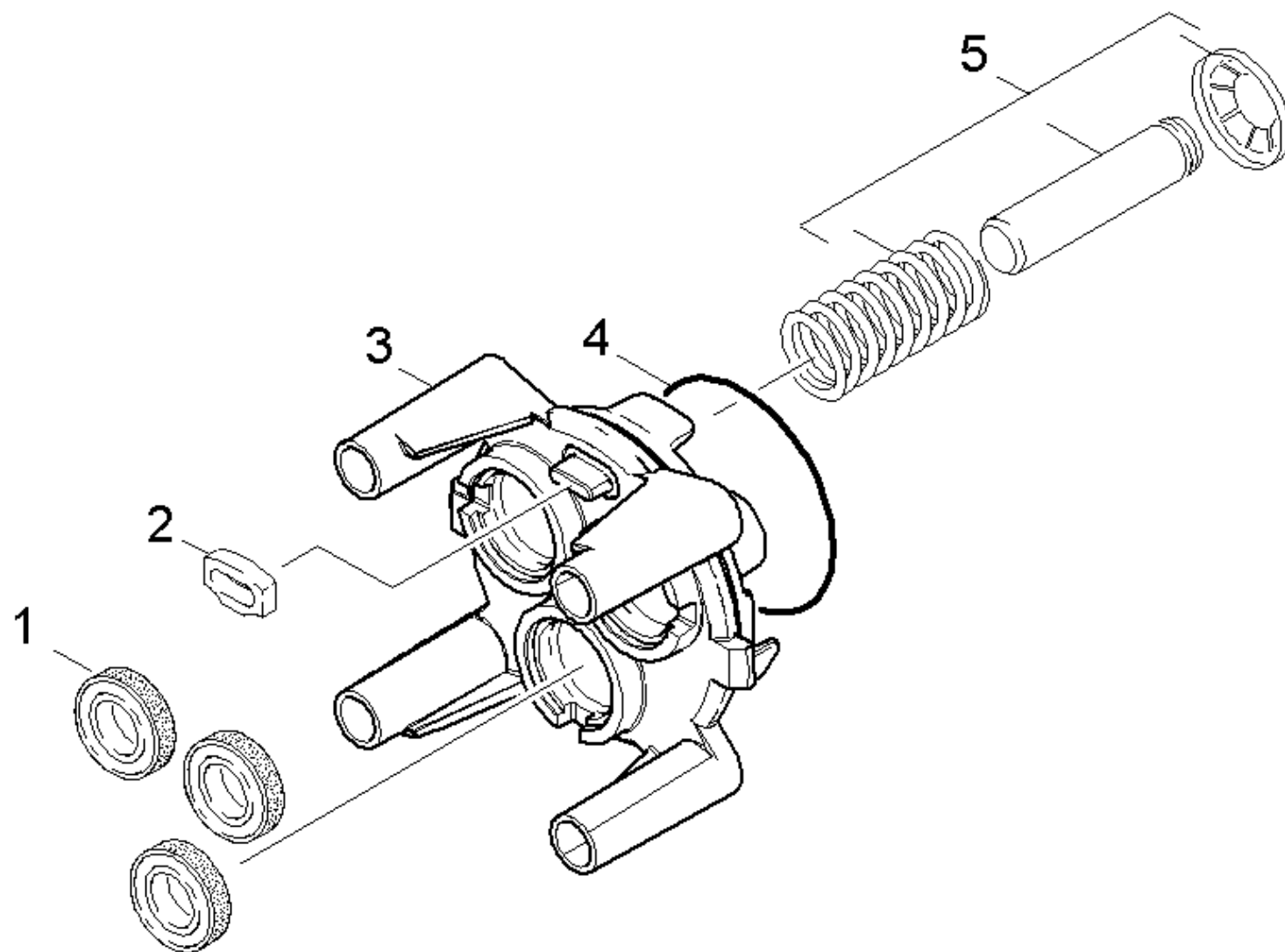
## 21 Housing

ET/VT (spare/wear parts)	Pos	Material #	Name	Qty.	Unit	Footnote text
	1	9.001-750.0	Connection delivery side	1.000	ST	
	2	9.039-148.0	Metal fork	2.000	ST	
	3	9.086-200.0	Screw M 8x55 Class 8.8	4.000	ST	
X-X	4	6.362-151.0	O-Ring d. 10 x 2 NBR 70	2.000	ST	
	5	9.039-308.0	Cover K130	1.000	ST	
	6	9.039-370.0	Pin for HP frame	2.000	ST	
X-X	7	9.001-741.0	FRONT HOUSING MODULAR COMPACT	1.000	ST	
X-X	8	9.002-011.0	Conversion kit housing new D=22mm	1.000	ST	
X-X	10	9.081-422.0	Form seal	1.000	ST	
X-X	11	9.001-693.0	Spare parts set cylinder head WCP	1.000	ST	
X-X	12	9.080-455.0	Seal 10x2,8	2.000	ST	
X-X	13	6.362-875.0	Grooved ring	3.000	ST	
X-X	14	9.001-110.0	Moulded part complete	1.000	ST	SET CONSISTS OF 3X MACHINED PART COMPL.
	15	9.001-149.0	Spare parts set valve	1.000	ST	SET CONSITSTS OF 3X VALVE
	16	9.001-106.0	Joining piece	1.000	ST	
	17	9.001-107.0	Cage complete	1.000	ST	
	18	9.047-026.0	Spring	1.000	ST	
	19	9.001-108.0	Injector complete	1.000	ST	
X-X	20	9.001-748.0	Spare parts set suction side	1.000	ST	
X-X	21	6.465-031.0	Connection 3/4	1.000	ST	
X-X	22	4.645-363.0	Coupler with label aqua cpl.	1.000	ST	



## 22 Housing

ET/VT (spare/wear parts)	Pos	Material #	Name	Qty.	Unit	Footnote text
	1	9.001-750.0	Connection delivery side	1.000	ST	
	2	9.039-148.0	Metal fork	2.000	ST	
	3	9.086-200.0	Screw M 8x55 Class 8.8	4.000	ST	
X-X	4	6.362-151.0	O-Ring d. 10 x 2 NBR 70	2.000	ST	
	5	9.039-308.0	Cover K130	1.000	ST	
	6	9.039-370.0	Pin for HP frame	2.000	ST	
X	7	9.002-027.0	Rad. 90° control housing HR (ric)	1.000	ST	
X-X	8	9.002-029.0	manifold HR + pressure piston	1.000	ST	
	9	9.002-028.0	pressure piston HR (spare)	1.000	ST	
X-X	10	9.081-422.0	Form seal	1.000	ST	
X-X	11	9.001-693.0	Spare parts set cylinder head WCP	1.000	ST	
X-X	12	9.080-455.0	Seal 10x2,8	2.000	ST	
X-X	13	6.362-875.0	Grooved ring	3.000	ST	
X-X	14	9.001-110.0	Moulded part complete	1.000	ST	SET CONSISTS OF 3X MACHINED PART COMPL.
	15	9.001-149.0	Spare parts set valve	1.000	ST	SET CONSITSTS OF 3X VALVE
	16	9.001-106.0	Joining piece	1.000	ST	
	17	9.001-107.0	Cage complete	1.000	ST	
	18	9.047-026.0	Spring	1.000	ST	
	19	9.002-017.0	Venturi nozzle D.1,45	1.000	ST	
X-X	20	9.001-748.0	Spare parts set suction side	1.000	ST	
X-X	21	6.465-031.0	Connection 3/4	1.000	ST	
X-X	22	4.645-363.0	Coupler with label aqua cpl.	1.000	ST	



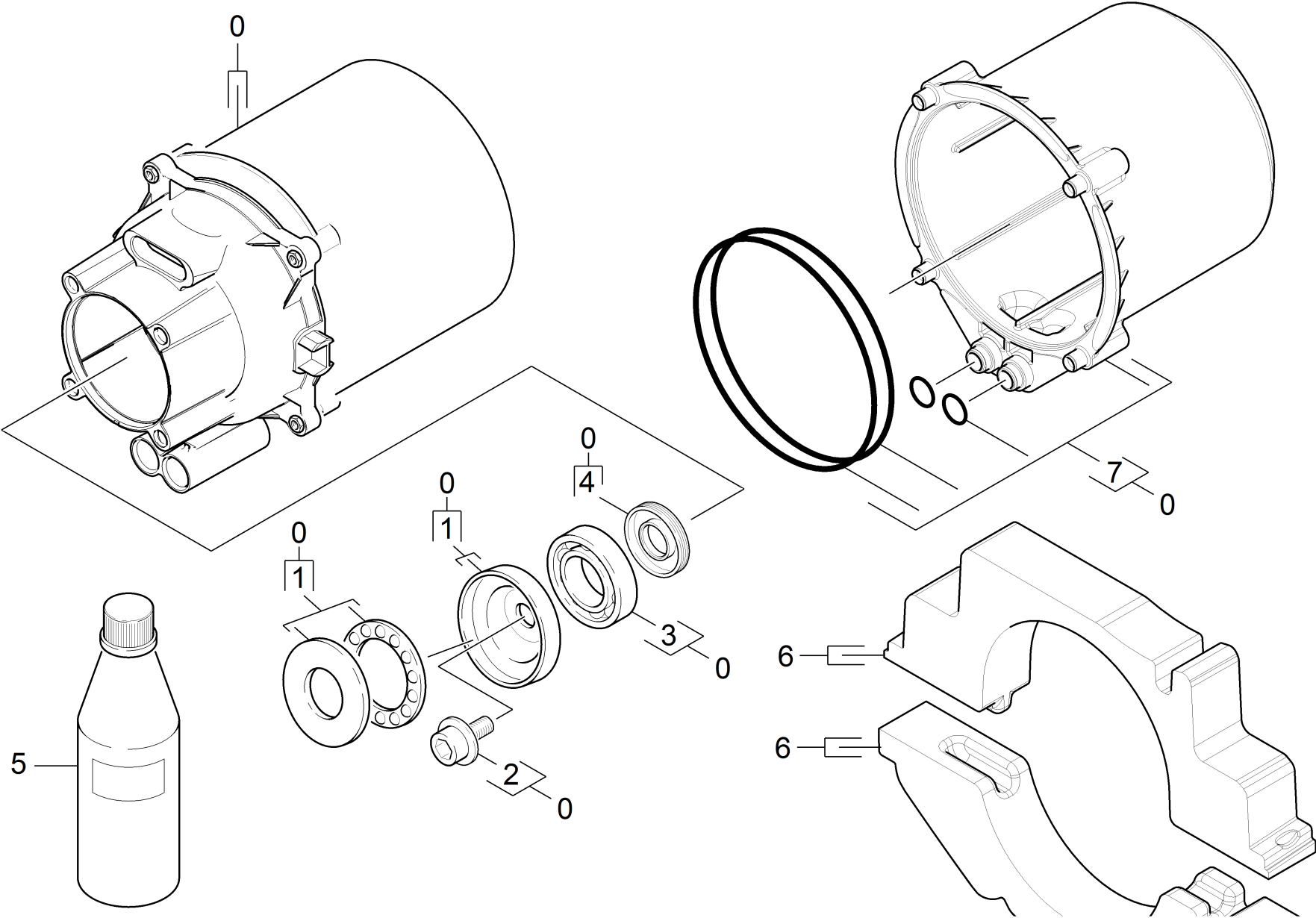


## 23 Thrust guidance

---

ET/VT (spare/wear parts)	Pos	Material #	Name	Qty.	Unit
X-X	1	6.964-026.0	Grooved ring	3.000	ST
	2	9.048-071.0	Spacer - Seal	1.000	ST
	3	9.042-129.0	Pistonguide K3/K4 Compact machined	1.000	ST
	4	9.080-426.0	O-Ring seal 62x3 NBR 70Shore	1.000	ST
X-X	5	9.001-927.0	Piston complete	3.000	ST

---



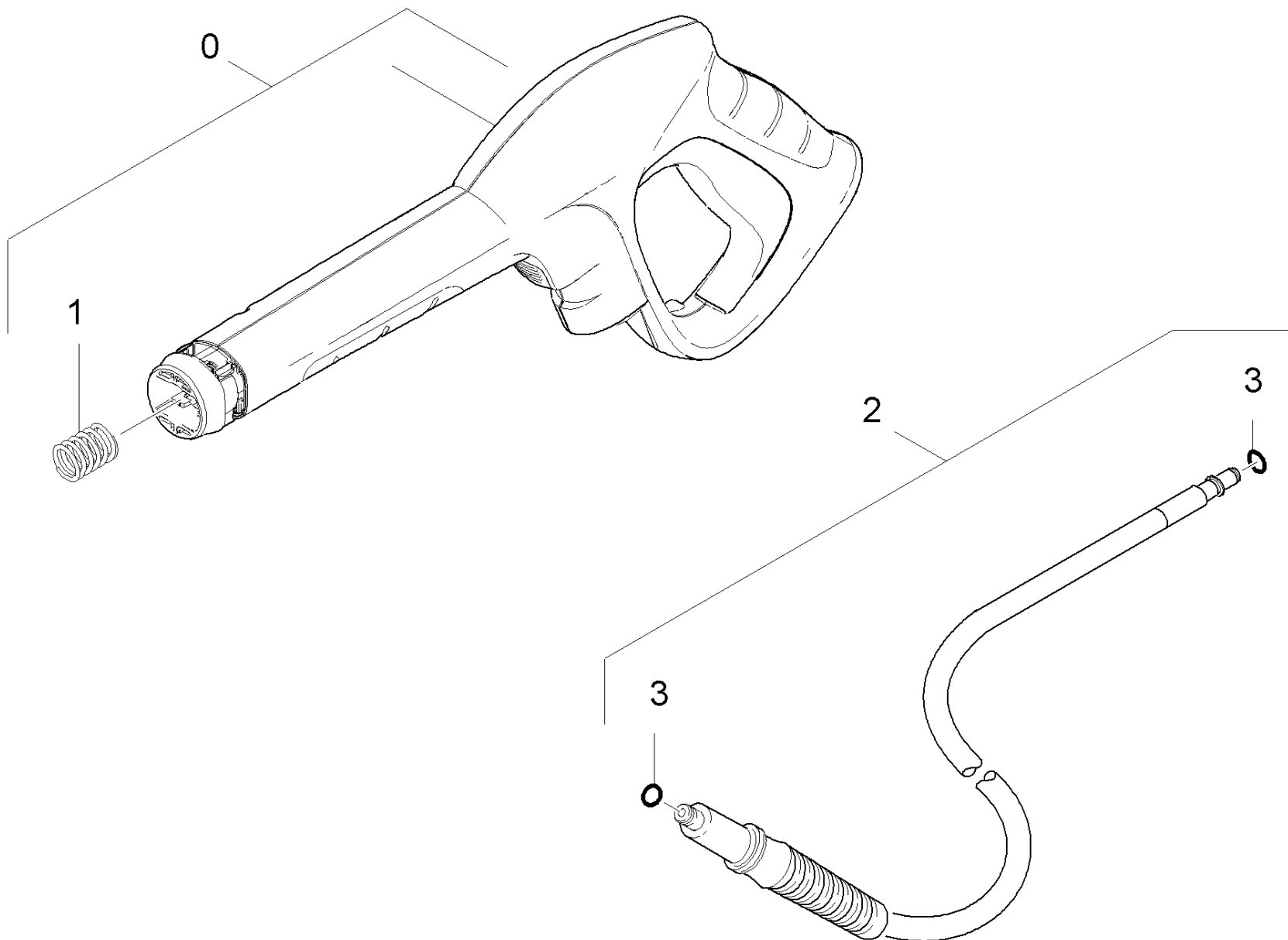
**30 Motor**

ET/VT (spare/wear parts)	Pos	Material #	Name	Qty.	Unit
	0	9.001-852.0	Motor complete	1.000	ST
	1	9.001-834.0	Wobble plate complete	1.000	ST
	2	9.086-205.0	Screw	1.000	ST
	3	7.401-010.0	Ball bearing 6303 -St DIN 625	1.000	ST
	4	9.078-007.0	Rotary shaft seal 17x35x5	1.000	ST
	5	6.288-112.0	Engine oil 1L	1.000	ST
X-X	6	9.001-799.0	Web PS	1.000	ST
X-X	7	9.001-918.0	Covering cap motor complete	1.000	ST

## 40 Accessories

---

Pos	Name	Qty.	Unit
41	Hand trigger gun	1.000	ST
42	Jet pipe	1.000	ST



#### 41 Hand trigger gun

---

ET/VT (spare/wear parts)	Pos	Material #	Name	Qty.	Unit
X-X	0	2.642-172.0	G 160 Q pistol Quick Connect	1.000	ST
	1	5.332-464.0	Pressure spring	1.000	ST
X	2	6.391-794.0	High pressure hose 16MPa/9 60°C QC B	1.000	ST
X-X	3	6.363-410.0	O-Ring seal 5,7x1,78 NBR 90Shore	2.000	ST



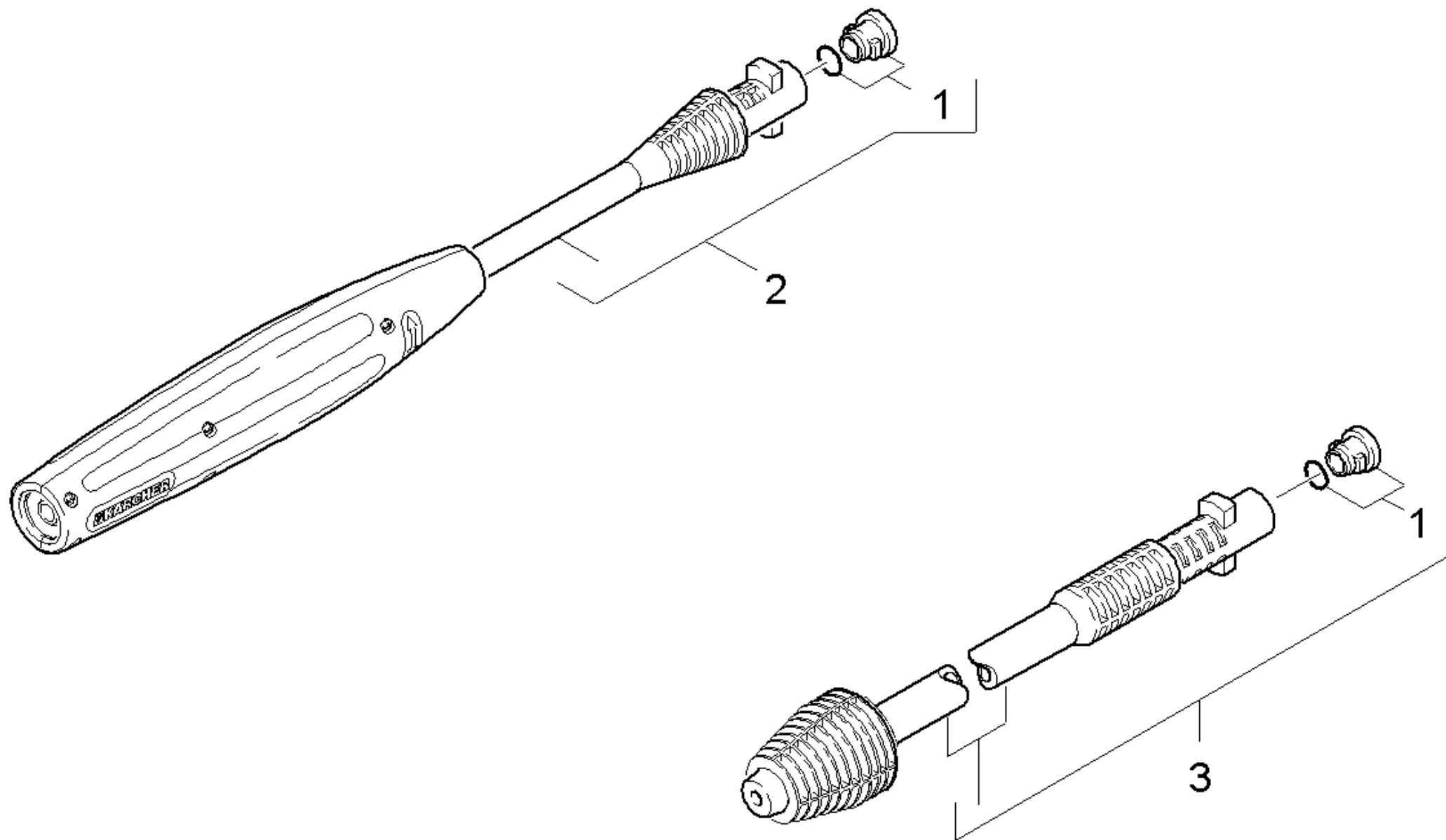
**0 G 160 Q pistol Quick Connect (2.642-172.0)**

---

<b>Pos</b>	<b>Material #</b>	<b>Name</b>	<b>Qty.</b>	<b>Unit</b>
1	5.332-464.0	Pressure spring	1.000	ST

---



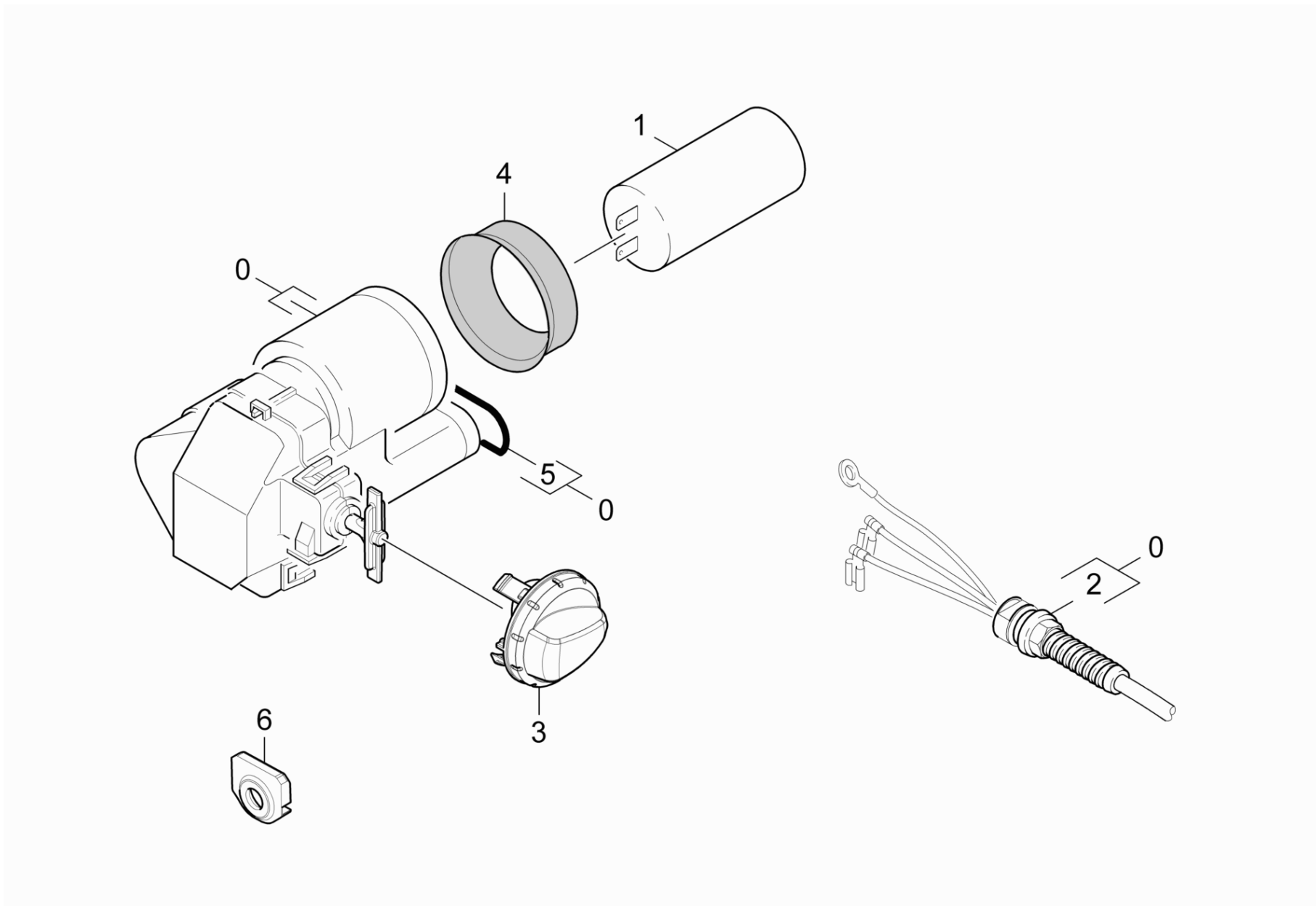


## 42 Jet pipe

---

ET/VT (spare/wear parts)	Pos	Material #	Name	Qty.	Unit
X-X	1	2.640-729.0	O-Ring seal set	1.000	ST
	2	4.760-623.0	VPS K3 021K	1.000	ST
	3	4.764-260.0	Dirt blaster 027 St - CEM	1.000	ST

---



**50 Electric box**

---

ET/VT (spare/wear parts)	Pos	Material #	Name	Qty.	Unit
	0	9.001-835.0	Electric box	1.000	ST
	1	9.085-060.0	Capacitor 60μF	1.000	ST
	2	9.084-149.0	Cable with plug	1.000	ST
X	3	9.037-693.0	Handhold switch	1.000	ST
	4	9.080-465.0	Joint ring capacitor d.45, 70 Shore	1.000	ST
	5	9.081-417.0	O-Ring d.20 x 2	1.000	ST
	6	9.037-441.0	Spacer electric box WCM	1.000	ST

---